



# BATCerclage System

#### Data and images

Intrauma S.p.A. reserves the right to make changes to the design and finish of the products shown and described in this catalog without prior notice.

The images are provided for information purposes only. The information displayed is purely indicative about some general features of the products shown herein.

This information does not constitute in any way whatsoever a description of the specific features by the Manufacturer.

Therefore, we recommend the customer to always contact the company Intrauma S.p.A. in order to obtain complete information on the specific features.

© The contents of this catalog are protected by copyrights.

The reproduction of these contents is possible only if expressly authorized by Intrauma S.p.A.

It is not allowed to copy and distribute this catalog without prior authorization.

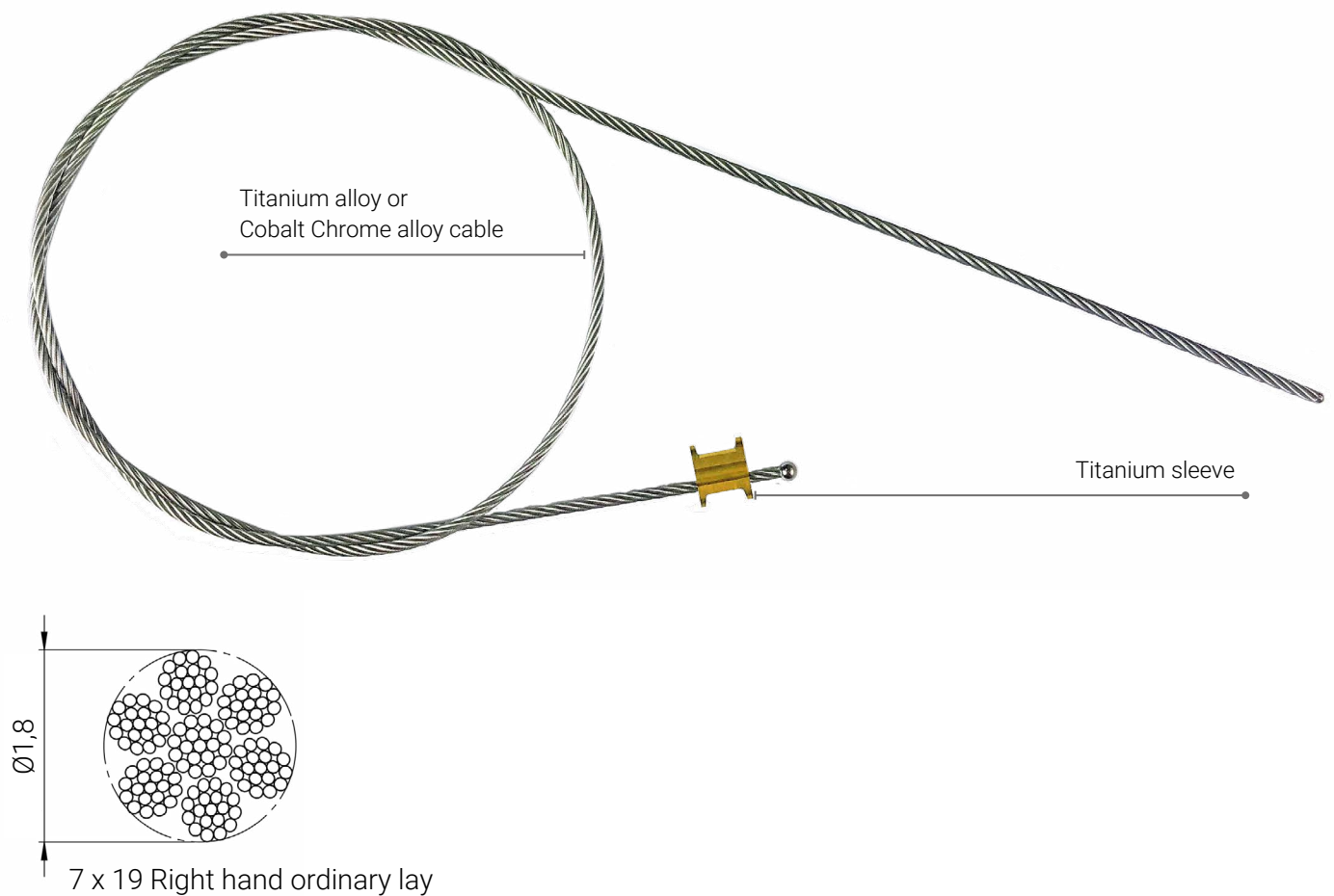
# BATCerclage System.

The **BATCable** is a cerclage system made of Titanium Alloy or Cobalt-Chrome Alloy with a diameter of 1.8mm.

Titanium Cable are compatible with all implants and particularly suitable for patients allergic to Chrome.

It has been Designed to provide Surgeons with the following features:

- Titanium or Cobalt-Chrome alloy cable Ø1.8 mm
- Simplified surgical technique
- Dedicated instrumentation Set



# Surgical Technique.

• 1

Insert the Cable in the Sleeve.



• 2 a

Slide the cable through the cannulated tip and make sure is fully in contact with the sleeve.



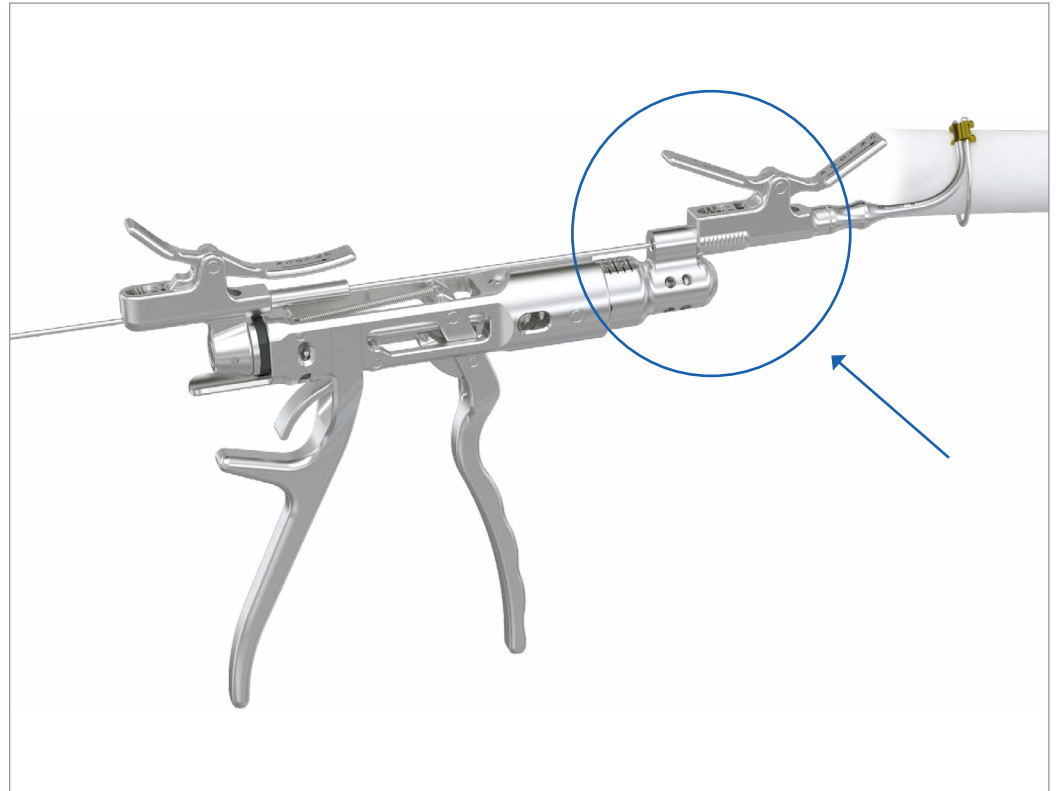
• 2 b

Push to lock the cable.



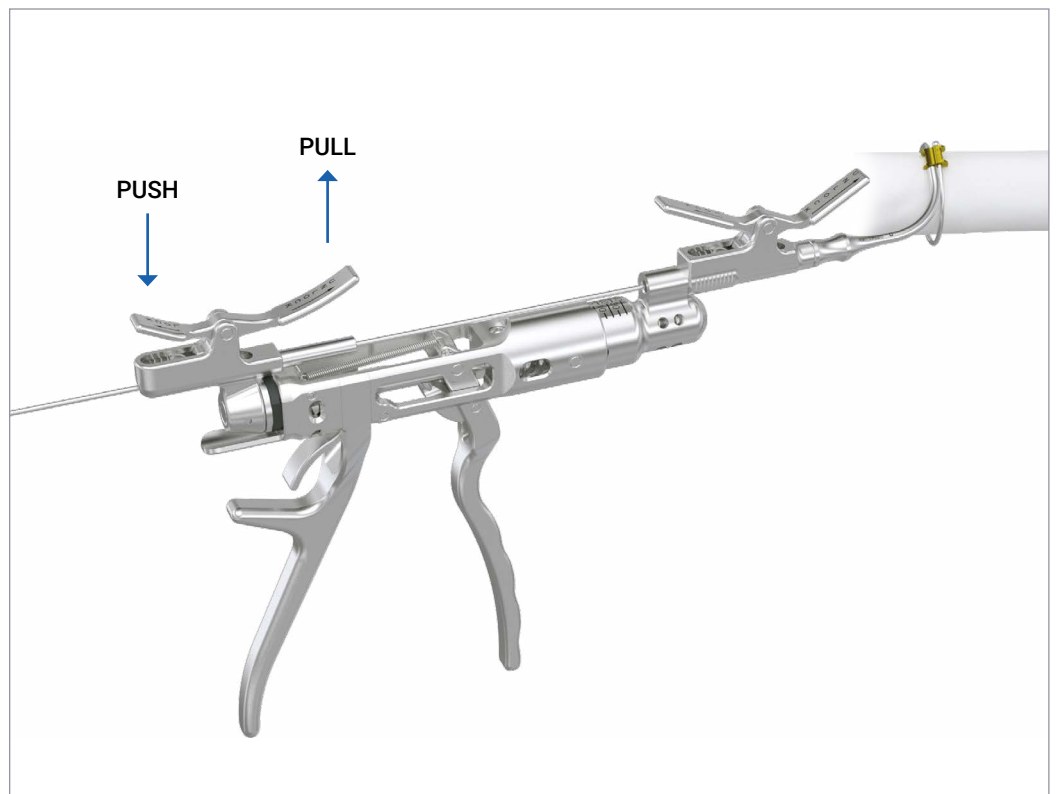
• 3

Insert the cable into the cable tensioner and connect it to the cable tension retaining device.



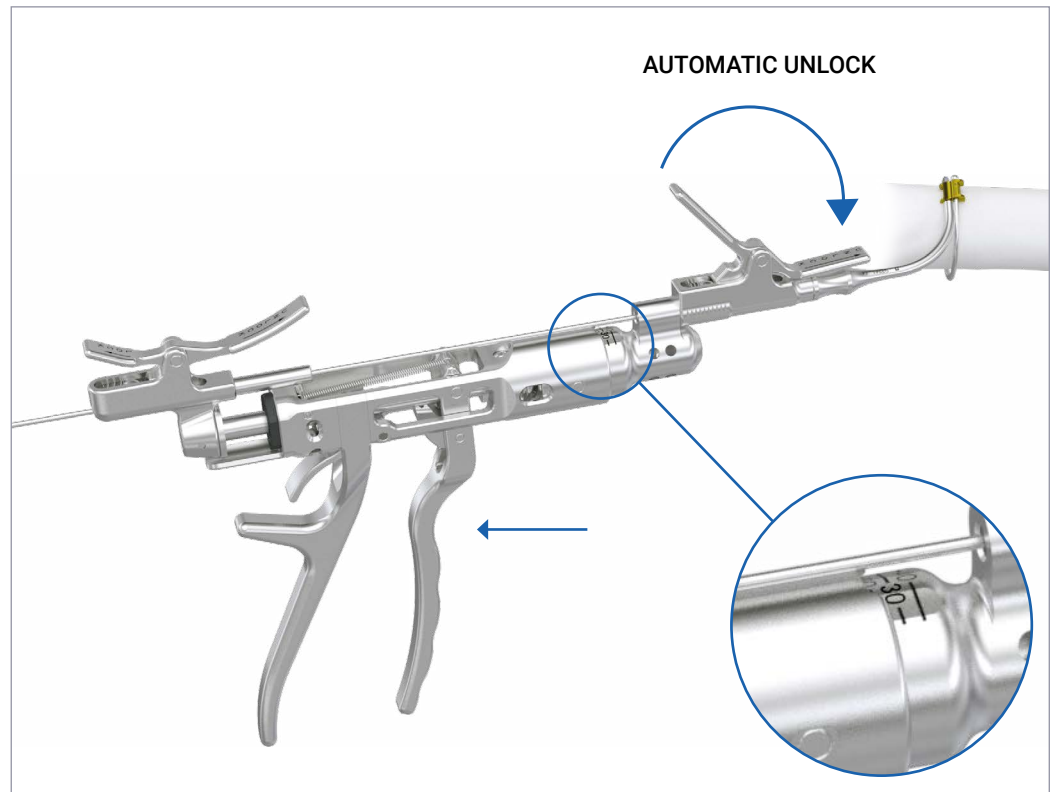
• 4

Lock the cable by pulling the cable tensioner lever (LOCK position).



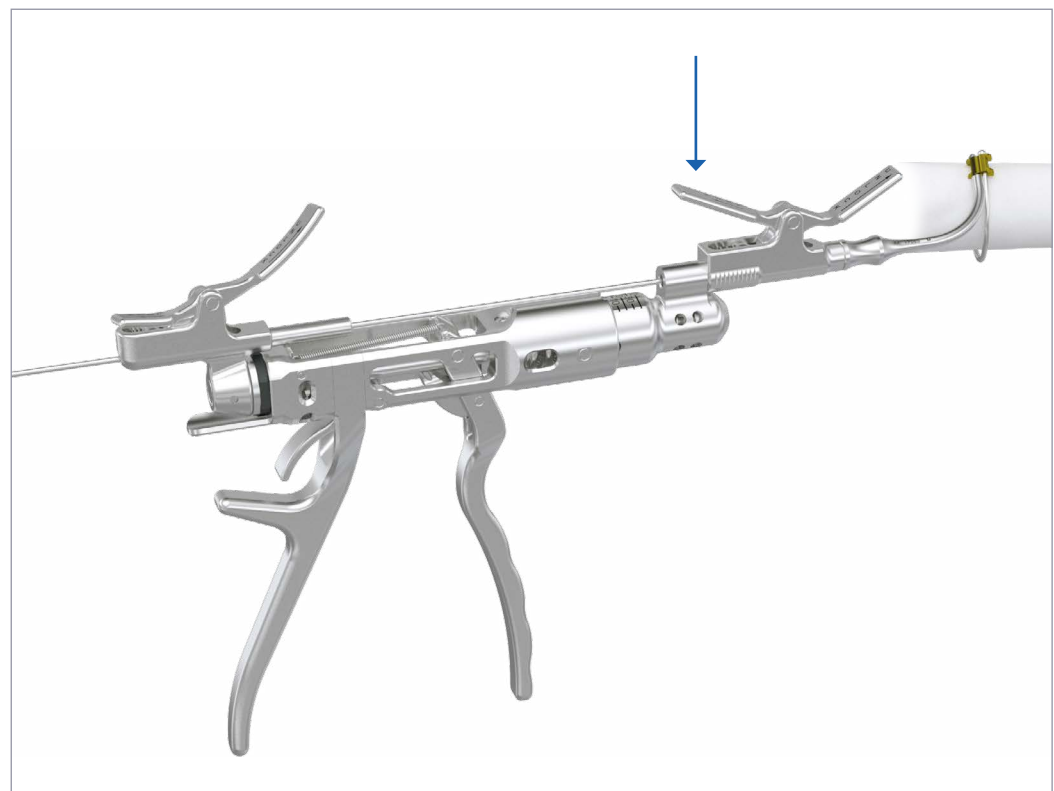
• 5

Squeeze the handles while monitoring the applied tension. The recommended average value is 30, but in any case it must not exceed 40.



• 6

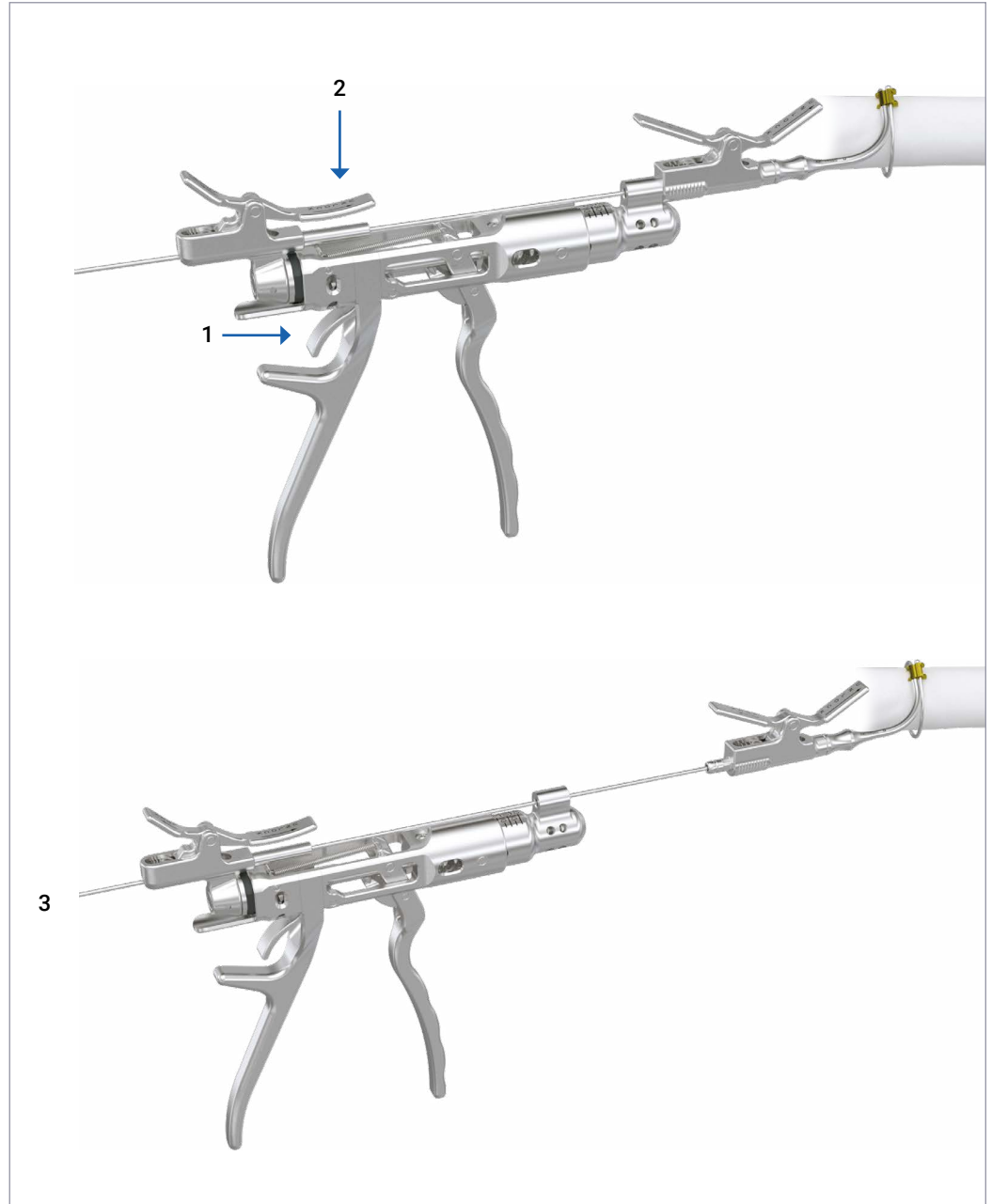
At the end of the pulling process, once the desired tension has been reached, press the cable tension retaining device lever, making sure to lock the cable (LOCK position).



• 7

Remove the cable tensioner:

- 1) Depress the release lever.
- 2) Push to unlock the cable
- 3) Remove the cable tensioner from the cannulated tip.



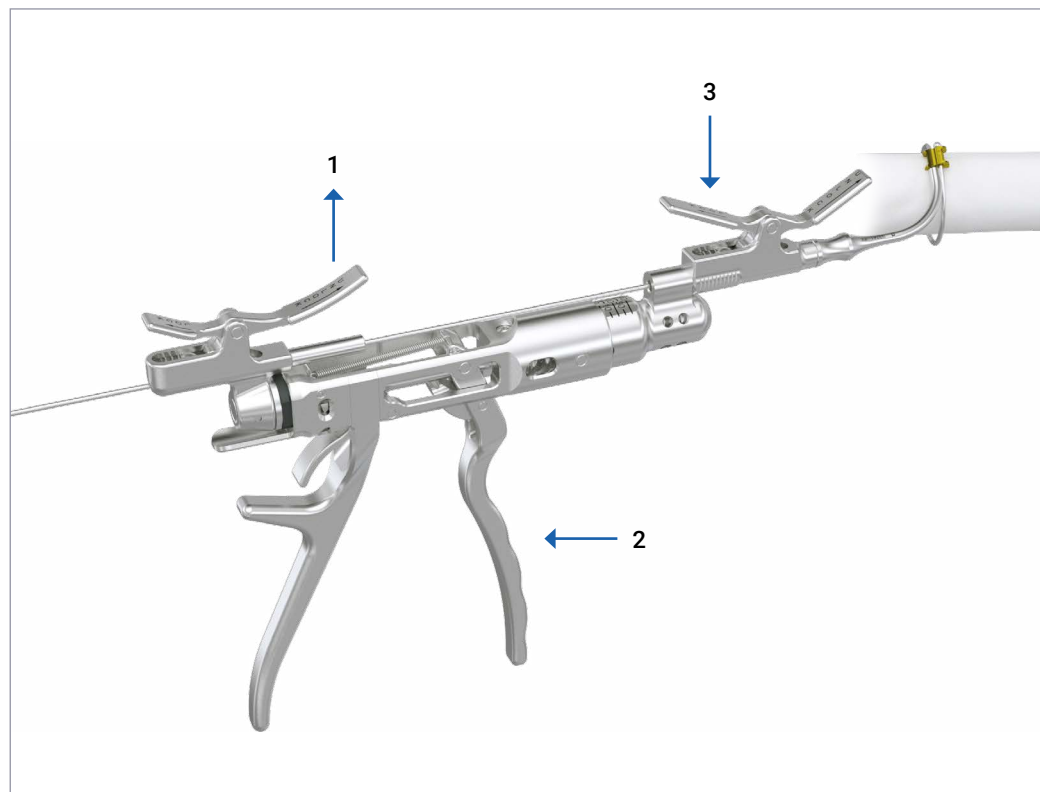
• Multiple Cerclages

Using more cable tension retaining devices allows to position more cables at the same time before crimping the sleeves.



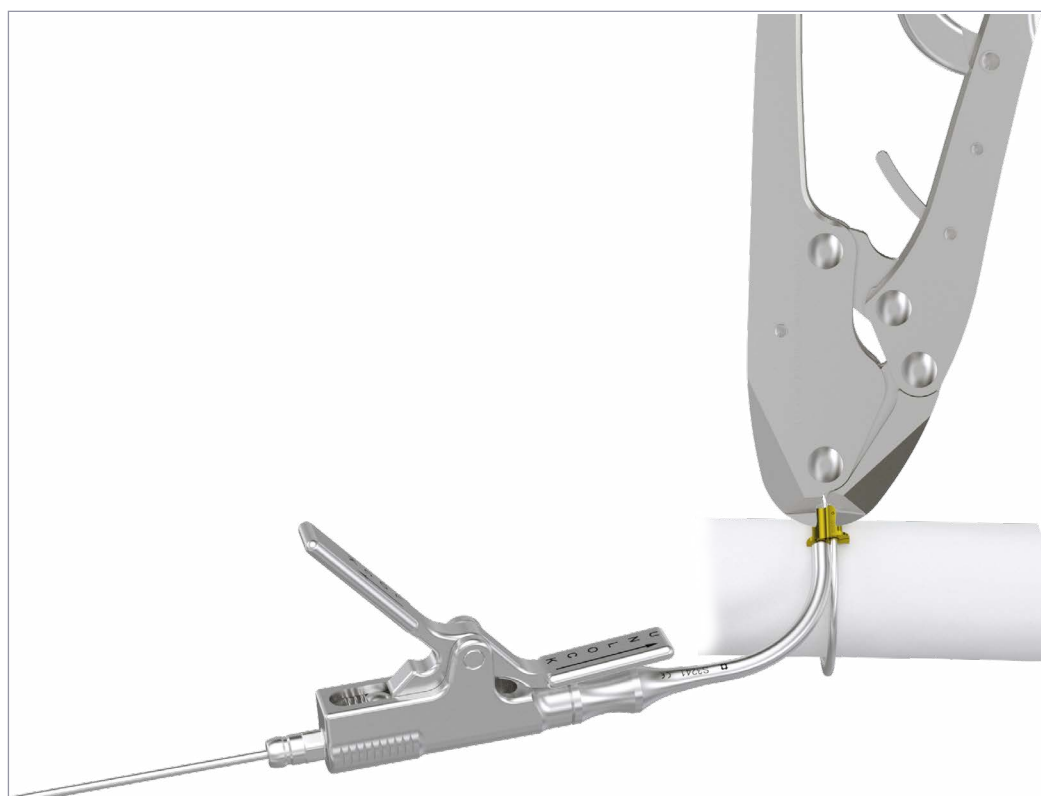
• **Re-tensioning**

The process from step 2 to step 7 can be repeated to re-tension the cable if necessary.



• **8**

Crimp the sleeve with the crimping tool and remove the cannulated tip.



• 9

Cut the exceeding amount of cable using the side cutter.



## Ordering informations.

Ref.	Description	Ø (mm)	Material
32.3102	BAT Cable Ti	1.8	Titanium Ti6Al4V - ISO 5832/3
32.3107	BAT Cable CoCr	1.8	CoCr L605 - ISO 5832/5

**Materials:**

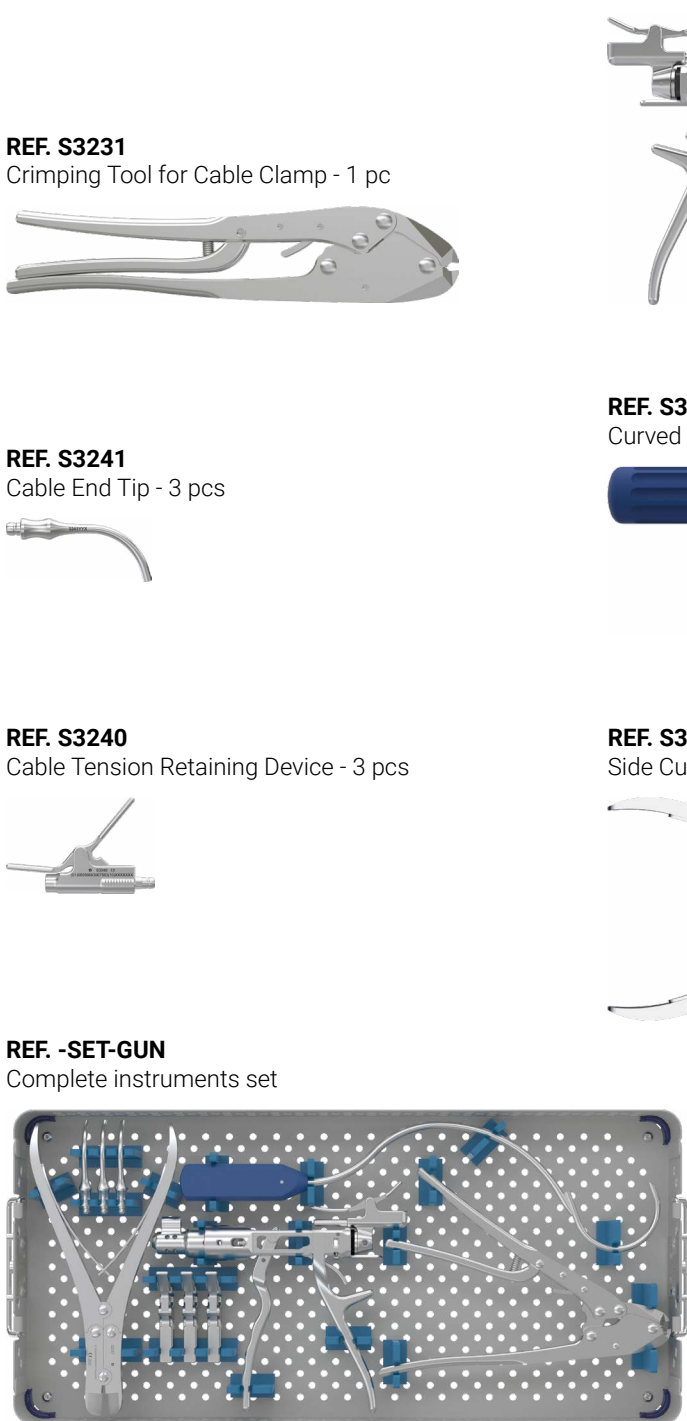
Sleeve | Titanium Gr. 2 - ISO 5832-2

# BATCerclage System

## Complete instruments set

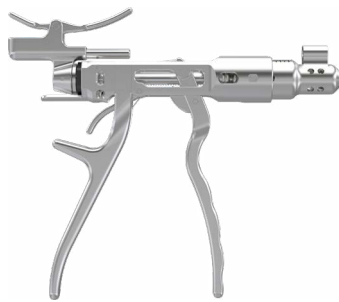
**REF. S3242**

Cerclage Instruments Case - 1 pc



**REF. S3239**

Cable Tensioner - 1 pc



**REF. S3231**

Crimping Tool for Cable Clamp - 1 pc



**REF. S3236**

Curved Cable Passer - Large - 1 pc.



**REF. S3241**

Cable End Tip - 3 pcs



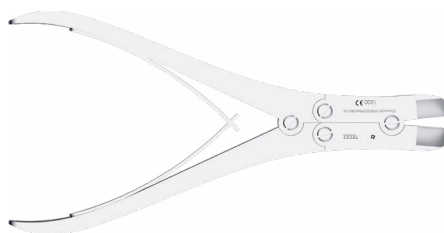
**REF. S3240**

Cable Tension Retaining Device - 3 pcs



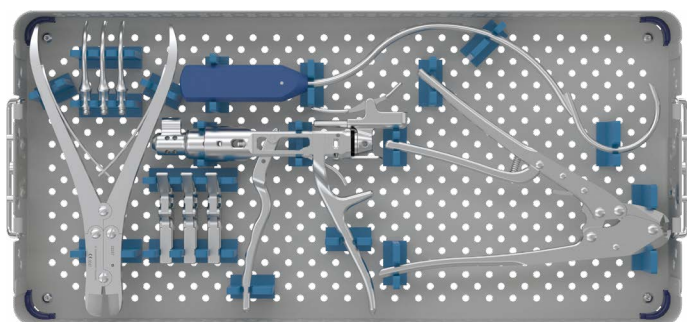
**REF. S3237**

Side Cutter - 1 pc



**REF. -SET-GUN**

Complete instruments set





**Intrauma S.p.A.**

Headquarters and administration: Via Meucci, 5 - 10090 Bruino (TO) Italy  
T: +39 011.95.39.496 | F: +39 011.95.88.385 | [intrauma.com](http://intrauma.com) | [info@intrauma.com](mailto:info@intrauma.com)